

AOK-750WOFS LED STADIUM LIGHT

The oFS series is specifically engineered for outdoor sports lighting, offering exceptional performance and high-output illumination. This superior LED flood light boasts remarkable efficiency and showcases a distinctive optical design that effectively eliminates glare while minimizing any negative effects on performance. With a range of flood distributions to choose from, the oFS series is suitable for various lighting applications, including large areas, port and rail centers, and outdoor sports facilities.



Applications

Truck loading bay, Train Station & Port, Large outdoor industrial operation area, Stadium

Certifications

UL Listed for damp locations. FCC compliant. RoHS compliant. Design Lights Consortium® (DLC) Premium 5.1 qualified product. Not all versions of this product may be DLC qualified.

Ordering Information

WATTS	VOLTAGE	LED CHIPS	SENSOR	CCT & CRI	DISTRIBUTE	DRIVER	MOUNT
300WoFS	NV=100-277V	L5=LUMI LEDS5050	00=Without	3070=3000k 70CRI	15D=15deg	Integral	Uner mount yoke
400WoFS	HV=347/280V	*S3=Seoul 3535	SN=Motion	4070=4000k 70CRI	30D=30deg	Remote	
460WoFS			PH=Photocell	5070=5000k 70CRI	60D=60deg		
750WoFS			DV=Dimmable	5770=5700k 70CRI	*90D=90deg		
960WoFS				6570=6500k 70CRI			
				3080=300k 80CRI			
				4080=4000k 80CRI			
				5080=5000k 80CRI			
				5780=5700k 80CRI			
				6580=6500k 80CRI			

*90D is only available for 300W - 460W

*Seoul 3535 is only available for 750W - 960W

Parameter Table

Electrical Specifications						
Model	AOK-300WoFS	AOK-400WoFS	AOK-460WoFS	AOK-750WoFS	AOK-960WoFS	
Power(W)	300 W	400 W	460 W	750 W	960 W	
Input voltage	100-277VAC, 50/60Hz, 347/480VAC optional					
THD	<20%					
PF	>0.90					
UGR	<19					
Control Option	DALI, 1-10V/ PWM / timer dimming, Nema, Zhaga, Photocell.					
Operating temperature	-40Å°C to 50Å°C (-40 Å°F to 122 Å°F)					
Driver brand	Meanwell					
Surge Protection	10kV / 20kV optional					
Photometric Specifications						
Efficacy(lm/W)	15D	150 lm/W	145 lm/W	140 lm/W	145 lm/W	130 lm/W
(CRI 70Ra, 4000K)	30D	165 lm/W	163 lm/W	160 lm/W	145 lm/W	130 lm/W
(Std. Dev Å±3%)	60D	165 lm/W	163 lm/W	160 lm/W	145 lm/W	130 lm/W
	90D	165 lm/W	163 lm/W	160 lm/W	--	--
Luminous flux (lm)	15D	45000 lm	58000 lm	64400 lm	108750 lm	124800 lm
(CRI 70Ra, 4000K)	30D	49500 lm	65200 lm	73600 lm	108750 lm	124800 lm
(Std. Dev Å±3%)	60D	49500 lm	65200 lm	73600 lm	108750 lm	124800 lm
	90D	49500 lm	65200 lm	73600 lm	--	--
ULOR	= 0%, @ Luminaire inclination 0Å°					
CCT	3000K, 4000K, 5000K, 5700K, 6500K					
CRI	Ra70, Ra80, Ra90 optional					
Beam angle	15D/30D/60D/90D				15D/30D/60D	
Mechanical Specifications						
IP/IK	IP66/IK10, according to standard EN 60529 and EN 62262					
Vibration resistance	3G, conform to standard IEC 68-2-6.					
SCx (EPA)	Front: 0.30658ăŽ ₁ (3.29ftÅ²);			Front: 0.265331ăŽ ₁ (2.86ftÅ²);		
	Side: 0.283354ăŽ ₁ (3.04ftÅ²)			Side: 0.255483ăŽ ₁ (2.75ftÅ²)		
Housing/Materials	Heavy-duty die-cast aluminum (EN AC-46100)					
Surface treatment	Anti-UV thermosetting polyester/80 micron epoxy primer, Anti-UV thermosetting polyester (for extremely corrosive environments).					
Painting	Black, Custom request					
Cable	Pre-wired with a 1.5m cable (Other lengths on request)					
Mounting	Under Mount Yoke (with or without driver box)					
LED						
LED manufacturer	LUMILEDS/Seoul					
LED model	Lumileds 5050/Seoul 3535					
Number of LED	15D	140	140	140	420	420
	30D	280	350	350	420	420
	60D	280	350	350	420	420
	90D	280	350	350	*	*
Working current of single LED(NV/HV)	15D	88	117	135	74/604	94/773
	30D	173	47	54	74/604	94/773
	60D	173	47	54	74/604	94/773
	90D	173	47	54	*	*
Lens	Polycarbonate, modular design					
Others						
Lifespan	L90B10 > 52000h, @Ta 25Å°C					
Warranty	5 years (Warranty extension up to 10 years on request)					
Certification	UL/cUL/FCC/CE/ENEC/SAA/GS,For other certificates please request					
Product size	Ĥ554*313mm				Ĥ545*275mm	
Net Weight	20kg				27kg	
Carton size	740*680*300mm				800*740*350mm	
Gross weight	23kg				31.5kg	
Application field	Suitable for sports field, stadium, port, railway station, large out area.					

NationalLED

CONSTRUCTION

- Heavy duty die-cast aluminum housing.
- Driver compartment can be separated from the light fixture, reduced on the gross weight.
- Light engine is thermally isolated from the driver compartment.
- UV stabilized polyester powder paint finish.

FINISH

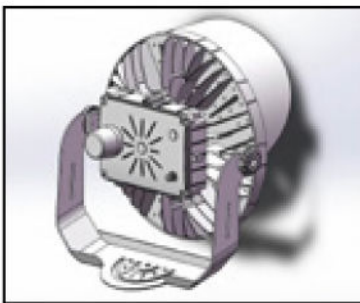
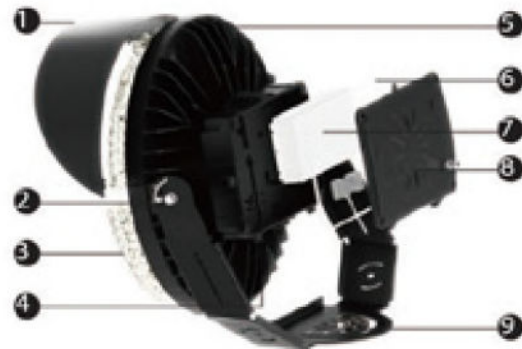
- Rugged, weather-tight design and 3G Vibration ratings ensure durability even in harsh environments.

OPTICAL/ELECTRICAL

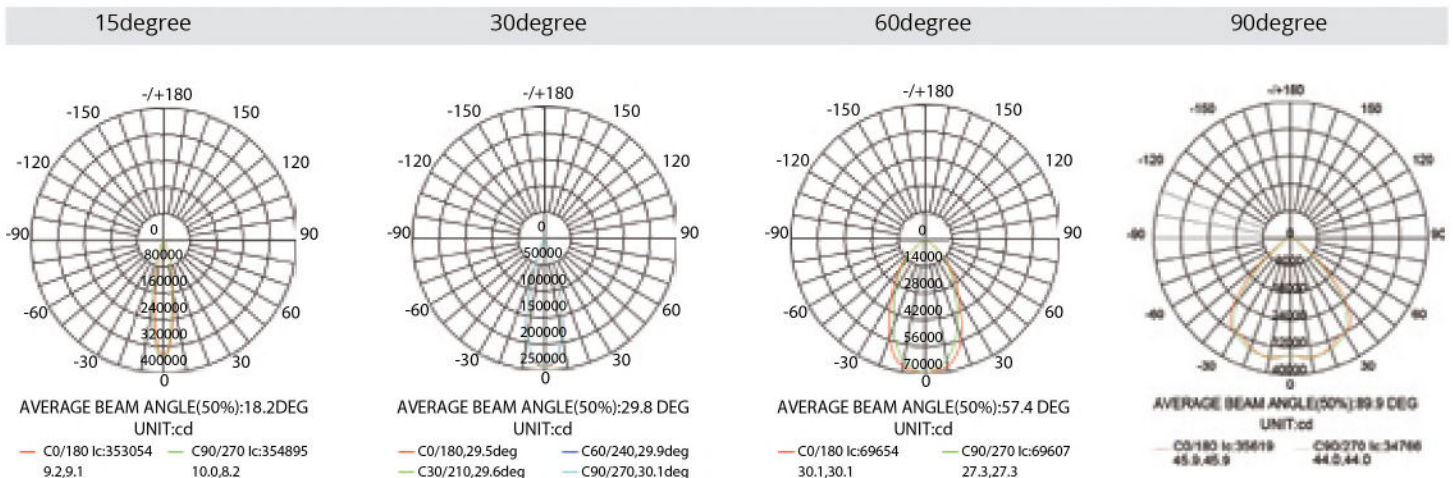
- Professional light distributions to maximize performance: 15°, 30°, 60°, 90° (only for 300W-460W).
- Working temperature: -40°C to 50°C (-40°F to 122°F);
- 1-10V dimming driver device standard.
- Voltage option: 100-277VAC, 50/60HZ standard; 347V-480V, 50/60HZ optional.
- 10KV or 20KV SPD (surge protection device) optional.

CONSTRUCTION FEATURES OF OFS SERIES

1. Visor (light shield)
2. Tiltable arm
3. Light source: top level performance LEDs, system efficacy up to 165lm/W
4. Space reserved for photocell sensor
5. Die casting fixture body
6. Gasket
7. Top level performance driver 1-10V dimmable
8. Driver box cover
9. 0 - ±90° Rotatable bracket



Photometric

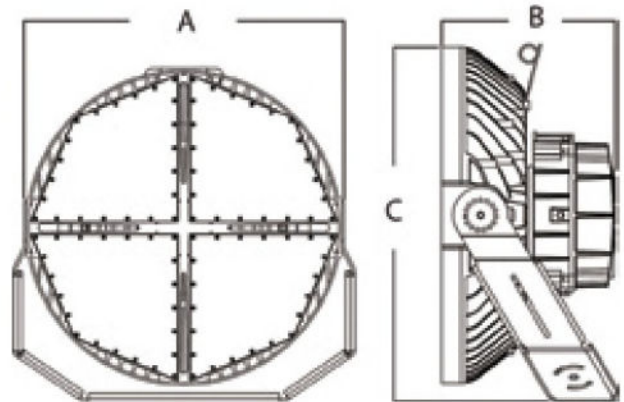
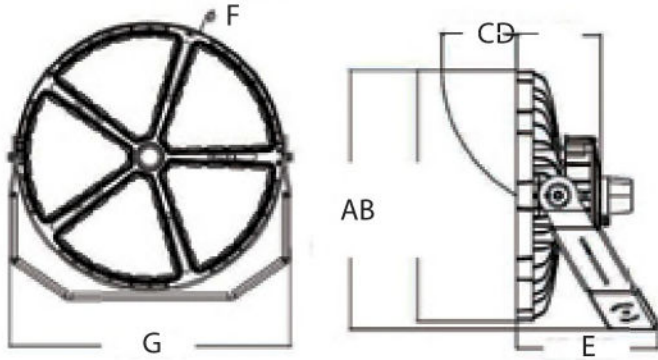


NationalLED

Dimensions

300W - 460W

720W - 960W



A	B	C	D
57.3cm/23'	55.4cm/22'	16.5cm/6'	18.6cm/7'
E	F	G	
31.3cm/12'	55.6cm/22'	58.1cm/23'	

A	B	C
54.5cm/21.5'	27.5cm/10.9'	56.4cm/22.2'

Accessories



Photocell



Steel Rope



Visor



Laser Aiming



Time Control



*As the products are upgraded, the accessories may differ from those described in the pictures. Please consult with our sales team for updated details and order separately.