

NationalLED

Arena Bright Sports Light

Project

Date

Catalog Number

Type



Specifications

Construction

- Sealed die-casting profile for outdoor applications
- Low profile, 3G vibration rated compact design minimizes wind load requirements.
- Housing is completely sealed against moisture and environmental contaminants (IP65).

Performance

- Available in NEMA 3Hx3V, 4Hx4V, 5Hx5V, 6Hx6V distributions.
- Light engines are available in standard 4000 K, 5000K and 5700 K (70/80/90 CRI) configurations.
- Scalable Lumen Packages from 49,500 to 118,000 Lumens.
- Optics is precisely designed to shape the distribution, maximizing efficiency and application spacing.

Lifespan

- Estimated 100,000-hour LED lifespan based on IES LM-80 results and TM-21 calculations

Electrical

- Universal 120-277 VAC or 347-480 VAC input voltage
- Standard with 0-10V dimming driver(s)
- Built in surge suppression with max.20KV @120-277V(Max.40KV @277-480V).
- THD: ≤20%
- Power Factor: ≥90%

Ambient Temperature

- Ambient operating temperature -40°F to 131°F.

Certification

- DesignLights Consortium™ Qualified.
- UL cUL wet location listed.

Note: DesignLights Consortium™ Qualified and classified for DLC Standard, refer to www.designlights.org for details.

ORDERING GUIDE

Example: **ABSL 350 LV 3K BK B33 TR WC BLANK**

| Fixture Type | Wattage | Voltage | CCT | Finish | Nema | Mounting (Option) | Integrated Control | Internal Code |
|----------------------|--|--|-----------------------------------|----------------------|---|----------------------|--|-----------------------|
| <input type="text"/> | <input type="text"/> | <input type="text"/> | <input type="text"/> | <input type="text"/> | <input type="text"/> | <input type="text"/> | <input type="text"/> | <input type="text"/> |
| ABSL Sports light | 350 350W 500 500W 505 505W 600 600W 650 650W 850 850W | LV 120-277V HV 277-480V HV2 347-480V | 4K 4000K 5K 5000K 57K 5700K | BK Black | B33 3Hx3V1 B44 4Hx4V B55 5Hx5V2 B66 6Hx6V2 | TR Trunnion | WC With Integrated Control Blank Without Integrated Control | Blank Alphanumeric |

Note: 1. 3H3V is only suit for large size, and small size will be coming soon 2. 5H5V,6H6V will be coming soon. 3. 650W only suitable for 277-480V input.

Example: **ABSLE 600 LV 4K BK B33 TR WC BLANK**

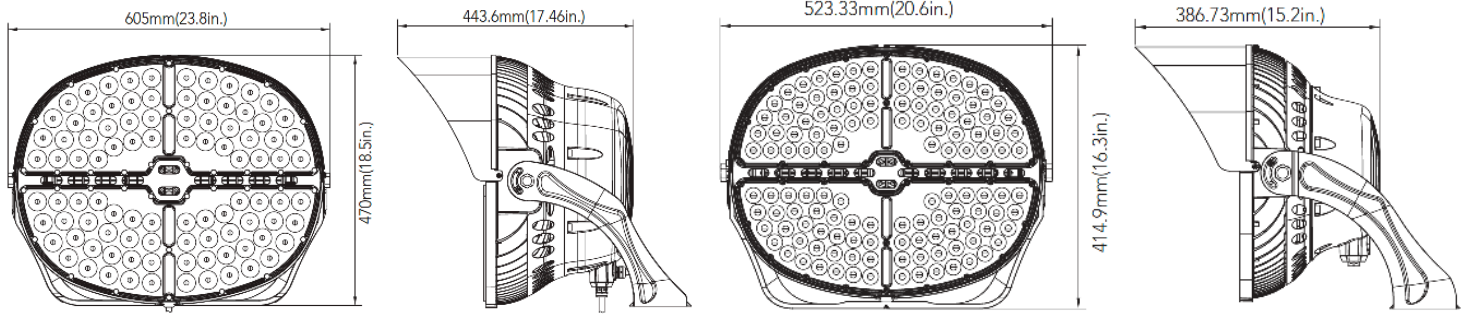
| Fixture Type | Wattage | Voltage | CCT | Finish | Nema | Mounting (Option) | Integrated Control | Internal Code |
|----------------------|----------------------|-----------------------------|-----------------------------------|----------------------|---|----------------------|--|-----------------------|
| <input type="text"/> | <input type="text"/> | <input type="text"/> | <input type="text"/> | <input type="text"/> | <input type="text"/> | <input type="text"/> | <input type="text"/> | <input type="text"/> |
| ABSLE Sports light | 600 600W | LV 120-277V HV2 347-480V | 4K 4000K 5K 5000K 57K 5700K | BK Black | B33 3Hx3V1 B44 4Hx4V B55 5Hx5V1 B66 6Hx6V1 | TR Trunnion Mount | WC With Integrated Control Blank Without Integrated Control | Blank Alphanumeric |

ABSL

www.NationalLED.com | 832-459-4447

Due to continued product improvements, product specifications are subject to change without notice. Please visit www.NationalLED.com for the most updated product specifications.

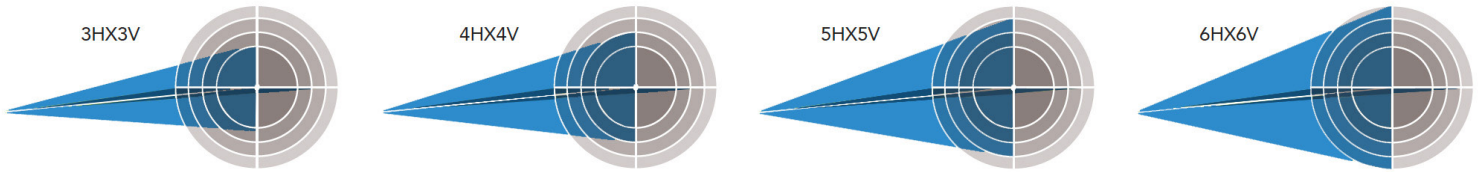
Dimension unit: mm/inch



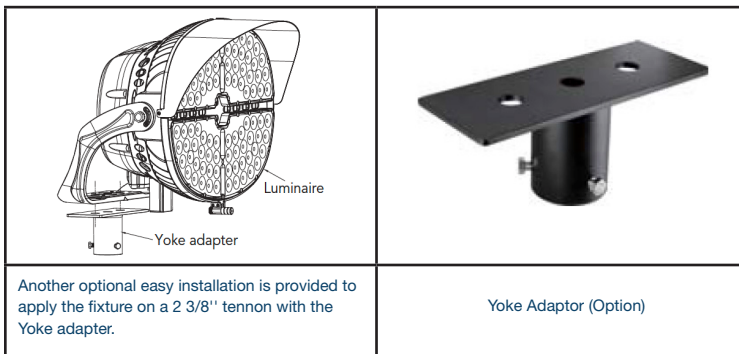
Net Weight:
500W: 56.30 lb 600W: 56.30 lb 650W: 63.47 lb 850W: 63.47 lb

Net Weight:
350W: 37.56 lb 505W: 39.26 lb 600W: 40.99 lb

Photometrics



Mounting Bracket



Performance Data

| SIZE | SYSTEM WATTS | VOLTAGE | NEMA | EPA | CRI | LUMENS (4000K) | LPW (4000K) | LUMENS (5000K) | LPW (5000K) | LUMENS (5700K) | LPW (5700K) |
|------------|--------------|-------------------|-------|--------|-----|----------------|-------------|----------------|-------------|----------------|-------------|
| Small Size | 350W | 120-277V/347-480V | 4Hx4V | 1.8911 | 70 | 51000lm | 146 lm/W | 51000lm | 146 lm/W | 49500lm | 141 lm/W |
| Small Size | 505W | 120-277V/347-480V | 4Hx4V | 1.8911 | 70 | 70000lm | 139 lm/W | 70000lm | 139 lm/W | 68000lm | 135 lm/W |
| Small Size | 600W | 120-277V/347-480V | 4Hx4V | 1.8911 | 70 | 82000lm | 137 lm/W | 82000lm | 137 lm/W | 80000lm | 133 lm/W |
| Large Size | 500W | 120-277V/347-480V | 4Hx4V | 2.5471 | 70 | 71000lm | 142 lm/W | 71000lm | 142 lm/W | 69000lm | 138 lm/W |
| | | | 3Hx3V | 2.5471 | 70 | 68160lm | 136 lm/W | 68160lm | 136 lm/W | 66240lm | 132 lm/W |
| Large Size | 600W | 120-277V/347-480V | 4Hx4V | 2.5471 | 70 | 84000lm | 140 lm/W | 84000lm | 140 lm/W | 82000lm | 137 lm/W |
| | | | 3Hx3V | 2.5471 | 70 | 80640lm | 134 lm/W | 80640lm | 134 lm/W | 78720lm | 131 lm/W |
| Large Size | 650W | 277-480V | 4Hx4V | 2.5471 | 70 | 91000lm | 140 lm/W | 91000lm | 140 lm/W | 88000lm | 135 lm/W |
| | | | 3Hx3V | 2.5471 | 70 | 87360lm | 134 lm/W | 87360lm | 134 lm/W | 84480lm | 130 lm/W |
| Large Size | 850W | 120-277V/347-480V | 4Hx4V | 2.5471 | 70 | 118000lm | 139 lm/W | 118000lm | 139 lm/W | 112000lm | 132 lm/W |
| | | | 3Hx3V | 2.5471 | 70 | 113280lm | 133 lm/W | 113280lm | 133 lm/W | 107520lm | 126 lm/W |

Electrical Data

| Number of Drivers | Driver Current (mA) | Nominal Power (W) | INPUT VOLTAGE (V) | CURRENT (Amps) |
|-------------------|---------------------|-------------------|-------------------|----------------|
| 1 | 2400 | 350 | 120 | 2.92 |
| | | 350 | 208 | 1.68 |
| | | 350 | 240 | 1.46 |
| | | 350 | 277 | 1.26 |
| | | 350 | 347 | 1.01 |
| | | 350 | 480 | 0.73 |
| 1 | 4800 | 500 | 120 | 4.17 |
| | | 500 | 208 | 2.40 |
| | | 500 | 240 | 2.08 |
| | | 500 | 277 | 1.81 |
| | | 500 | 347 | 1.44 |
| | | 500 | 480 | 1.04 |
| 1 | 2350 | 505 | 120 | 4.21 |
| | | 505 | 208 | 2.43 |
| | | 505 | 240 | 2.10 |
| | | 505 | 277 | 1.82 |
| | 2500 | 505 | 347 | 1.46 |
| | | 505 | 480 | 1.05 |
| 1 | 5600 | 600 | 120 | 5.00 |
| | | 600 | 208 | 2.88 |
| | | 600 | 240 | 2.50 |
| | | 600 | 277 | 2.17 |
| | 5200 | 600 | 347 | 1.73 |
| | | 600 | 480 | 1.25 |
| 1 | 5200 | 650 | 277 | 2.35 |
| | | 650 | 347 | 1.87 |
| | | 650 | 480 | 1.35 |
| 1 | 5500 | 850 | 120 | 7.08 |
| | | 850 | 208 | 4.09 |
| | | 850 | 240 | 3.54 |
| | | 850 | 277 | 3.07 |
| | | 850 | 347 | 2.45 |
| | | 850 | 480 | 1.77 |