

# NationalLED

## Flat Round High Bay



Project

Date

Catalog Number

Type



100W/150W/160W



210W/230W/235W



## Specifications

### Construction

- Casting thermally conducts LED heat to optimize performance and long life.
- With corrosion-resistant powder coating that provides protection and architectural appearance while adapting well to the environment.

### Performance

- Light engines are available in color tunable version, the CCT can be changed to three CCTs (3000K, 4000K, 5000K) or two CCTs (4000K, 5000K).
- Scalable Lumen Packages from 6,000 to 40,000 Lumens.
- Anti-UV prismatic translucent lens is designed to shape the light uniformity and controls the glare light.

### Electrical

- Universal 120-277VAC or 120-347VAC or 347/480V input voltage.
- 0-10V dimming standard for a dimming range of 100% to 10%.
- PF >90%, THD <20%, 6KV surge protection.
- Operating Temperature Range: -40°F - + 113°F or -40°F - + 122°F.

Note: Operating with emergency battery temperature range: +41°F - + 122°F.

### Lifespan

- Estimated 50,000-hour LED lifespan based on IES LM-80 results and TM-21 calculations.
- Optional Occupancy sensor or Microwave sensor or daylight sensor.
- Optional Bluetooth sensor or Bluetooth controller.
- Silvair Luminaire Level Lighting Control (LLLC) optional.
- Sharkward Luminaire Level Lighting Control (LLLC) optional.
- Also compatible with 3rd party smart network control system.
- Optional for Emergency Battery Backup.

### Warranty

- Standard 5-year limited warranty.
- 10-year Optional

### Certifications

- UL cUL wet location listed.
- DesignLights Consortium™ Qualified.


Note: Please refer to the DLC website for specific product qualifications at [www.designlights.org](http://www.designlights.org).

## ORDERING GUIDE


Example: FR 350W LV 4K DB M AD S WO

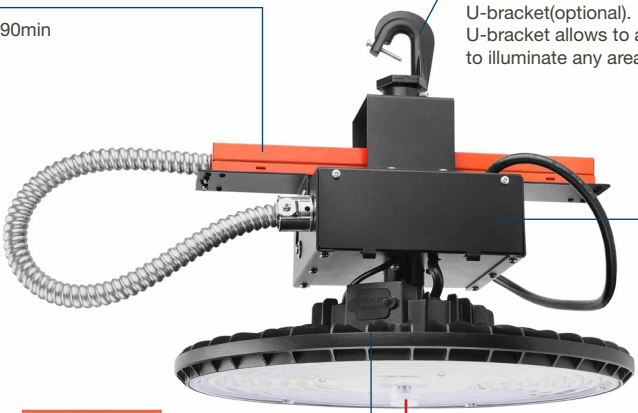
Fixture Type	Wattage	Input Voltage	CCT	Finish	Sensor (Option)	Emergency Battery (Option)	CCT and Power Adjustable	Internal Code
FR High Bay	100W 150W 160W 210W 230W 235W	LV 120-277V HV 120-347V HV2 347-480V	DDK Adjustable color temperature 3K 3000K 4K 4000K 5K 5000K	DB Dark Bronze BK Black WH White	M With Sensor Blank Without Sensor	WB With Emergency Battery Blank Without Emergency Battery	WA With Adjustment Dial Blank Without Adjustment Dial	Blank Alphanumeric 2 With 2 CCTs Dial 3 With 3 CCTs Dial

**Emergency Battery**  
25W 3500lm 90min



**Plug-and-Play Sensor (optional)** Sensor allows for security and energy saving.

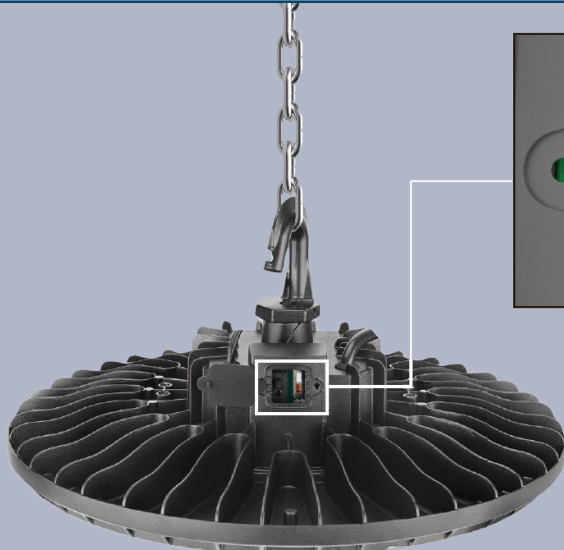


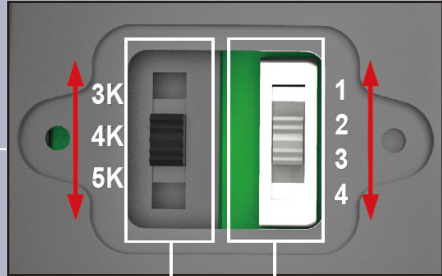


**Installation accessory**  
Available for both hook mount, conduit mount and surface mounting with U-bracket(optional). U-bracket allows to adjust the direction to illuminate any area you need.

**Transformer BOX**  
Transformer can be easily added into the Junction-box and convert to HV models, reducing SKUs and inventory pressure.

**Housing**  
Rugged die-cast housing with corrosion-resistant powder coating for effective protection.





**CCT AND WATTAGE SELECTABLE**  
This fixture has the function of adjusting the lumens output and color temperature on-site.

**CCT SELECT**

3000K	4000K	5000K

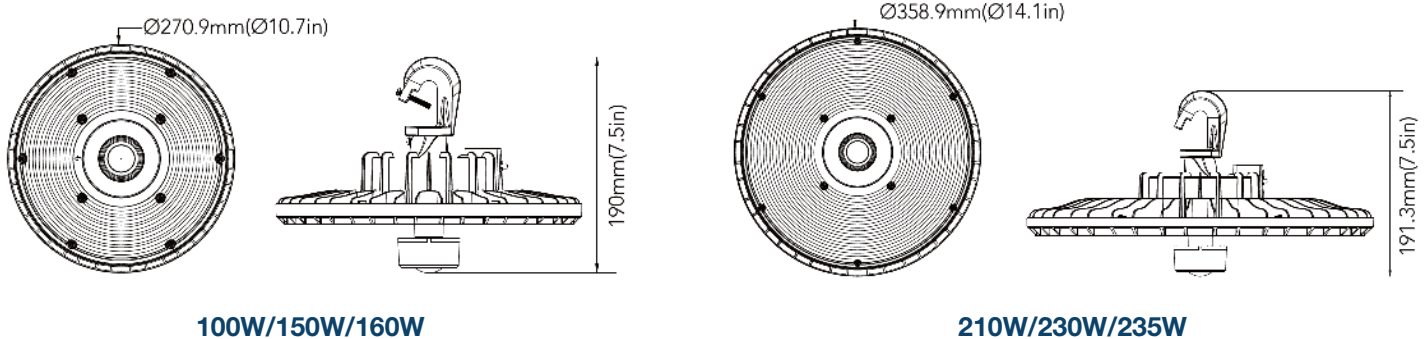
Offer three CCT adjustable (3000K, 4000K, 5000K) or two CCT adjustable (4000K, 5000K)

**WATTAGE SELECT**

40%	60%	80%	100%

Each model supports 4 positions wattage regulation: 100%, 80%, 60%, 40%

## Dimension unit: inch/mm



## Performance Data

HB01 100W								
SETTING	SYSTEM WATTS	CRI	3000K		4000K		5000K	
			LUMENS	LPW	LUMENS	LPW	LUMENS	LPW
100%	100W	70	14000lm	140 lm/W	16000lm	160 lm/W	14500lm	145 lm/W
80%	80W	70	11600lm	145 lm/W	13000lm	163 lm/W	12000lm	150 lm/W
60%	60W	70	9000lm	150 lm/W	10000lm	167 lm/W	9400lm	157 lm/W
40%	40W	70	6200lm	155 lm/W	7000lm	175 lm/W	6500lm	163 lm/W

HB01 150W								
SETTING	SYSTEM WATTS	CRI	3000K		4000K		5000K	
			LUMENS	LPW	LUMENS	LPW	LUMENS	LPW
100%	150W	70	22000lm	147 lm/W	24000lm	160 lm/W	22500lm	150 lm/W
80%	120W	70	18000lm	150 lm/W	20000lm	167 lm/W	19000lm	158 lm/W
60%	90W	70	14000lm	156lm/W	15500lm	172 lm/W	14600lm	162 lm/W
40%	60W	70	9800lm	163 lm/W	10800lm	180 lm/W	10000lm	167 lm/W

HB01 160W								
SETTING	SYSTEM WATTS	CRI	3000K		4000K		5000K	
			LUMENS	LPW	LUMENS	LPW	LUMENS	LPW
100%	160W	70	25500lm	159 lm/W	28000lm	175 lm/W	27000lm	169 lm/W
80%	128W	70	21200lm	166 lm/W	22800lm	178 lm/W	22000lm	172 lm/W
60%	96W	70	16500lm	172 lm/W	17500lm	182 lm/W	17000lm	177 lm/W
40%	64W	70	11300lm	177 lm/W	12000lm	188 lm/W	11600lm	181 lm/W

HB01 210W								
SETTING	SYSTEM WATTS	CRI	3000K		4000K		5000K	
			LUMENS	LPW	LUMENS	LPW	LUMENS	LPW
100%	210W	70	30200lm	144 lm/W	32000lm	152 lm/W	30500lm	145 lm/W
80%	168W	70	24500lm	146 lm/W	26500lm	158 lm/W	25000lm	149 lm/W
60%	126W	70	19000lm	151 lm/W	21000lm	167 lm/W	20000lm	159 lm/W
40%	84W	70	13500lm	161 lm/W	14500lm	173 lm/W	14000lm	167 lm/W

HB01 230W								
SETTING	SYSTEM WATTS	CRI	3000K		4000K		5000K	
			LUMENS	LPW	LUMENS	LPW	LUMENS	LPW
100%	230W	70	34000lm	148 lm/W	36000lm	157 lm/W	35000lm	152 lm/W
80%	184W	70	28000lm	152lm/W	30000lm	163 lm/W	29000lm	158 lm/W
60%	138W	70	22000lm	159 lm/W	24000lm	174 lm/W	23000lm	167 lm/W
40%	92W	70	15500lm	168 lm/W	16500lm	179 lm/W	16000lm	174 lm/W

HB01 235W (Single CCT only)								
SETTING	SYSTEM WATTS	CRI	3000K		4000K		5000K	
			LUMENS	LPW	LUMENS	LPW	LUMENS	LPW
100%	235W	70	37000lm	157 lm/W	40000lm	170 lm/W	40000lm	170 lm/W
80%	188W	70	31000lm	165 lm/W	33000lm	176 lm/W	33000lm	176 lm/W
60%	141W	70	24000lm	170 lm/W	25500lm	181 lm/W	25500lm	181 lm/W
40%	94W	70	16500lm	176 lm/W	17500lm	186 lm/W	17500lm	186 lm/W

## Electrical Data

Number of Drivers	Driver Current (mA)	Nominal Power (W)	INPUT VOLTAGE (V)	CURRENT (Amps)
1	800	100	120	0.83
		100	208	0.48
		100	240	0.42
		100	277	0.36
		100	347	0.29
		105	347	0.30
		105	480	0.22
1	1150	150	120	1.25
		150	208	0.72
		150	240	0.63
		150	277	0.54
		150	347	0.43
		155	347	0.45
		155	480	0.32
1	1280	160	120	1.33
		160	208	0.77
		160	240	0.67
		160	277	0.58
		160	347	0.46
		165	347	0.48
		165	480	0.34
1	1700	210	120	1.75
		210	208	1.01
		210	240	0.88
		210	277	0.76
		210	347	0.61
		215	347	0.62
		215	480	0.45
1	1750	230	120	1.92
		230	208	1.11
		230	240	0.96
		230	277	0.83
		230	347	0.66
		235	347	0.68
		235	480	0.49
1	1850	235	120	1.13
		235	208	1.13
		235	240	0.98
		235	277	0.85
		235	347	0.68
		240	347	0.69
		240	480	0.50

## Mounting



Hook Mount



Conduit Pendant Mount



U-Bracket Mount

## Photometrics

