

# NationalLED

## FlexCEE Canopy

Project

Date

Catalog Number

Type



## Specifications

### Construction

- Sealed die-casting profile for indoor and outdoor applications.
- Casting thermally conducts LED heat to optimize performance and long life.
- With corrosion-resistant powder coating that provides protection and architectural appearance while adapting well to the environment in the garage.

### Performance

- Lumen output from 3500-7700lm with efficacy up to 164lm/W.
- Switchable color temperature 4000K/5000K.
- Parking Garage photometry.
- Replacing 100W MH and 175W MH..

### Electrical

- Universal 120-277VAC input voltage.
- Standard 0-10V dimming for 10% to 100%.
- Wattage adjustable: 100%, 80%, 60%, 40%.
- Both drivers have a power factor >90%, THD <20%.
- Operating temperature is -40°F to 113°F.

### Controls

- Optional Motion sensor.
- Optional Emergency Battery.

### Lifespan

- Estimated 50,000-hour LED lifespan based on IES LM-80 results and TM-21 calculations.

### Warranty

- Standard 5-year limited warranty.
- 10-year Optional

### Certification

- UL cUL wet location listed.
- DesignLights Consortium™ Qualified.

Note: Please refer to the DLC website for specific product qualifications at [www.designlights.org](http://www.designlights.org).

## ORDERING GUIDE

Example: CCC 60W LV CCT DB M B PG AD BA

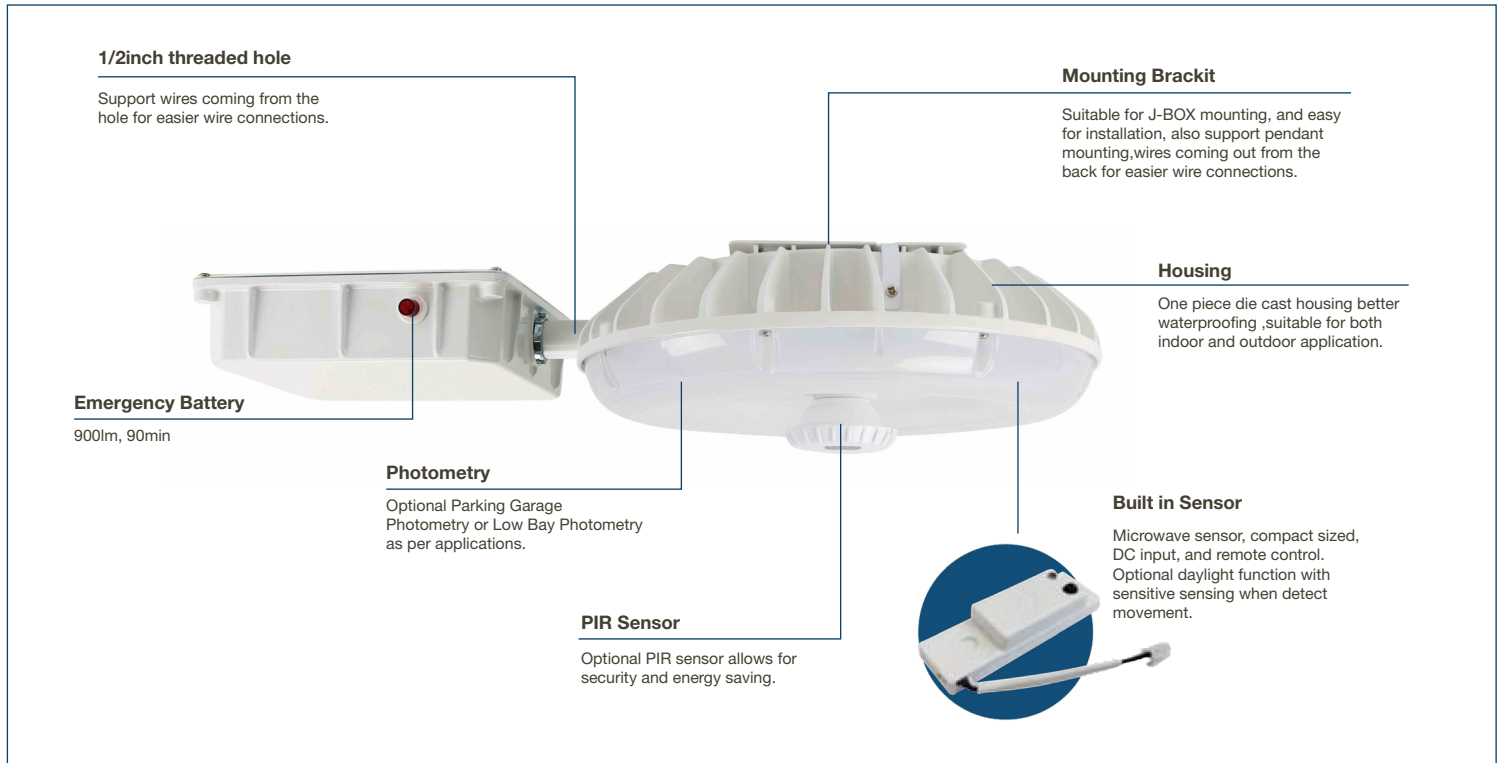
Fixture Type	Wattage	Voltage	CCT	Finish	Sensor (Option)	Emergency Battery (optional)	Photometry	CCT and Power Adjustable	Internal Code
CCC Canopy Series	60 60W	LV 120-277V	CCT Adjustable color temperature	DB Dark Bronze BK Black WH White	MS Motion Sensor Blank Without Sensor	WB With Emergency Battery Blank Without Emergency Battery	PG Parking Garage	AD With adjustment dial Blank Without adjustment dial	WO Alphanumeric

CCC

[www.NationalLED.com](http://www.NationalLED.com) | 832-459-4447

Due to continued product improvements, product specifications are subject to change without notice. Please visit [www.NationalLED.com](http://www.NationalLED.com) for the most updated product specifications.

## Structural Design



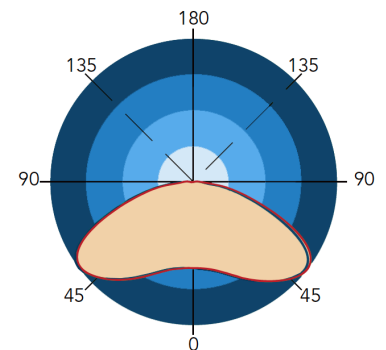
## Performance Data

SETTING	SYSTEM WATTS	LUMENS	LPW	LUMENS	LPW
		4000K (70CRI)	4000K (70CRI)	5000K (70CRI)	5000K (70CRI)
100%	600W	7700lm	128lm/W	7500lm	125lm/W
80%	46W	6500lm	141lm/W	6300lm	137lm/W
60%	34W	5000lm	147lm/W	4900lm	134lm/W
40%	22W	3600lm	164lm/W	3500lm	159lm/W

## Electrical Data

Number of Drivers	Driver Current (mA)	Nominal Power (W)	INPUT VOLTAGE (V)	CURRENT (Amps)
1	1050	60	120	0.50
		60	208	0.29
		60	240	0.25
		60	277	0.22

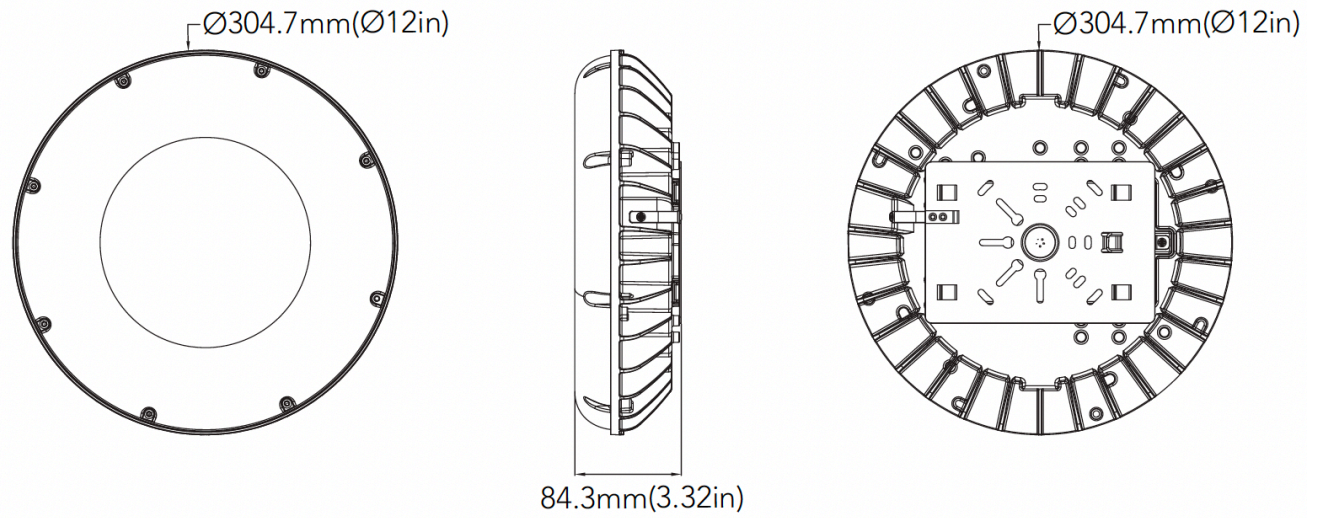
## Photometrics



Dimension unit: inch/mm

Weight:

60W: 5.73lbs



## Mounting



Surface Mounted With J-Box



Conduit Pendant Mount