



### Specifications

#### Construction

- Rugged die-cast aluminum housing secures the thermally conductive LED panel and electrical cha.
- Show off urban style by the simple shape and the solid material.
- Housing is completely sealed against moisture and environmental contaminants.

#### Performance

- Single CCT 4000K and 5000K are available for standard version, and the 130W offer the color tunable version, the CCT can be changed to 3000K/4000K/5000K.
- Scalable Lumen Packages from 5,400 to 17,200 Lumens.
- High performance UV stabilized optical grade polymer optic lenses to achieve desired distribution optimized to get target lumens and a superior lighting uniformity.
- The optics can conform to dark sky requirement.

#### Electrical

- Universal 120-277 VAC or 347-480 VAC input voltage.
- Standard with 0-10V dimming allowing for 10% to 100% dimming.
- The 130W optional for 4 positions wattage regulation: 130W, 87W, 70W, 45W.
- THD: 20%
- Power Factor: 90%

#### Controls

- Optional occupancy sensor
- Optional Photocell

#### Ambient Temperature

- Ambient operating temperature -40F to 113F.

#### Warranty

- Standard 5-year limited warranty.
- 10-year Optional

#### Lifespan

- Estimated 100,000-hour LED lifespan based on IES LM-80 results and TM-21 calculations

#### Finish

- It's available in dark bronze, or optional black, silver gray or white.



#### Certification

- UL cUL wet location listed.
- DesignLights Consortium™ Qualified.

Note: Please refer to the DLC website for specific product qualifications at [www.designlights.org](http://www.designlights.org).

### ORDERING GUIDE

Example: LSPT 45W LV 4K DB PO WS BLANK BLANK

Fixture Type	Wattage	Voltage	CCT	Finish	Photocell (option)	Sensor (optional)	Photometry	Internal Code
LSPT Post Top Light	45W 70W 87W 130W	LV 120-277V	DDK Adjustable color temperature 4K 4000K 5K 5000K	DB Dark Bronze BK Black WH White SG Silver Gray	PO 120-277V Photocell WO Without Photocell	WS With Motion Sensor Blank Without Sensor	BLANK General Photometry	BLANK Alphanumeric

**CCT AND WATTAGE SELECTABLE**  
This fixture has the function of adjusting the lumens output and color temperature on-site.

**CCT SELECT**

3000K 4000K 5000K

Offer three CCT adjustable (3000K, 4000K, 5000K).

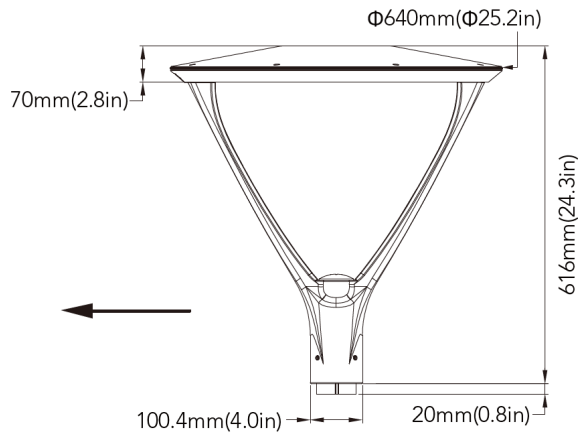
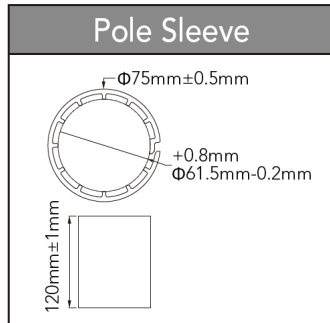
**WATTAGE SELECT**

45W 70W 87W 130W

Each model supports 4 positions wattage regulation: 130W, 87W, 70W, 45W

## Dimension unit: inch/mm

Net weight:  
130W: 25.699lbs



## EPA of Post Top

Item	
EPA	0.9696

## Performance Data (@ Single CCT)

SYSTEM WATTS	VOLTAGE	CRI	LUMENS 3000K	LPW 3000K	LUMENS 4000K	LPW 4000K	LUMENS 5000K	LPW 5000K
45W	120-277VAC	70	5400lm	120 lm/W	5450lm	121 lm/W	5500lm	122 lm/W
70W	120-277VAC	70	8400lm	120 lm/W	8450lm	121 lm/W	8500lm	121 lm/W
87W	120-277VAC	70	10500 lm	121 lm/W	10600 lm	122 lm/W	10600 lm	122 lm/W
130W	120-277VAC	70	16000 lm	123 lm/W	16300 lm	125 lm/W	16300 lm	125 lm/W

## Adjustable Lumen Output Table

SWITCH SETTING	SYSTEM WATTS	VOLTAGE	CRI	LUMENS 3000K	LPW 3000K	LUMENS 4000K	LPW 4000K	LUMENS 5000K	LPW 5000K
LV1	130W	120-277VAC	70	16000 lm	123 lm/W	17200 lm	132 lm/W	16300 lm	125 lm/W
LV2	87W	120-277VAC	70	11600 lm	133 lm/W	12000 lm	138 lm/W	11800 lm	136 lm/W
LV3	70W	120-277VAC	70	9700lm	139 lm/W	10000 lm	143 lm/W	9900lm	141 lm/W
LV4	45W	120-277VAC	70	6500lm	144 lm/W	6700lm	149 lm/W	6600lm	147 lm/W

## Electrical Data

Number of Drivers	Driver Current (mA)	Nominal Power (W)	INPUT VOLTAGE (V)	CURRENT (Amps)
1	1120	45	120	0.38
		45	208	0.22
		45	240	0.19
		45	277	0.16
1	1750	70	120	0.58
		70	208	0.34
		70	240	0.29
		70	277	0.25
2	2240	87	120	0.73
		87	208	0.42
		87	240	0.36
		87	277	0.31
2	3500	130	120	1.08
		130	208	0.63
		130	240	0.54
		130	277	0.47

## Photometrics General

