



Specifications

Construction

- Strong and durable die -cast aluminum case.
- Round appearance for good decorative effect, sized in 3.5ft height.
- Robust ground cage pre-buried installation.
- 360 degrees surround illumination.

Performance

- High performance UV stabilized optical grade polymer optic lenses to achieve target lumens and a superior lighting uniformity.
- Light engines are available in color tunable version, the CCT can be changed to three CCTs (3000K, 4000K, 5000K).
- Scalable Lumen Packages from 1,300 to 3,200 Lumens.

Electrical

- Universal 120-277 VAC input voltage.
 - Standard with 0-10V dimming allowing for 10% to 100% dimming.
 - PF >90%, THD <20%.
 - Operating Temperature Range: -40°F to 113°F.
- Note: Operating with emergency battery temperature range: +41°F to 113°F.

Controls

- Optional Emergency Battery.

Lifespan

- Estimated 50,000-hour LED lifespan based on IES LM-80 results and TM-21 calculations.

Warranty

- Standard 5-year limited warranty.
- 10-year Optional

Certification

- UL cUL wet location listed.
- DesignLights Consortium™ Qualified.

Note: Please refer to the DLC website for specific product qualifications at www.designlights.org.

ORDERING GUIDE

Example: PGBL 26W LV CCT DB WB WO

Fixture Type	Wattage	Voltage	CCT	Finish	Backup Battery (Option)	Internal Code
<input type="text"/>	<input type="text"/>	<input type="text"/>	<input type="text"/>	<input type="text"/>	<input type="text"/>	<input type="text"/>
PGBL Bollard Light	26 26W	LV 120-277V	CCT Adjustable color temperature	DB Dark Bronze BK Black WH White	WB With Emergency Battery WO Without Emergency Battery	WO Alphanumeric

Structural Design



Performance Data

SYSTEM WATTS	VOLTAGE	LUMENS 3000K(70CRI)	LPW 3000K(70CRI)	LUMENS 4000K(70CRI)	LPW 4000K(70CRI)	LUMENS 5000K(70CRI)	LPW 5000K(70CRI)
26W	120-277V	3000 lm	115 lm/W	3200 lm	123 lm/W	3050 lm	117 lm/W

Adjustable Lumen Output Table

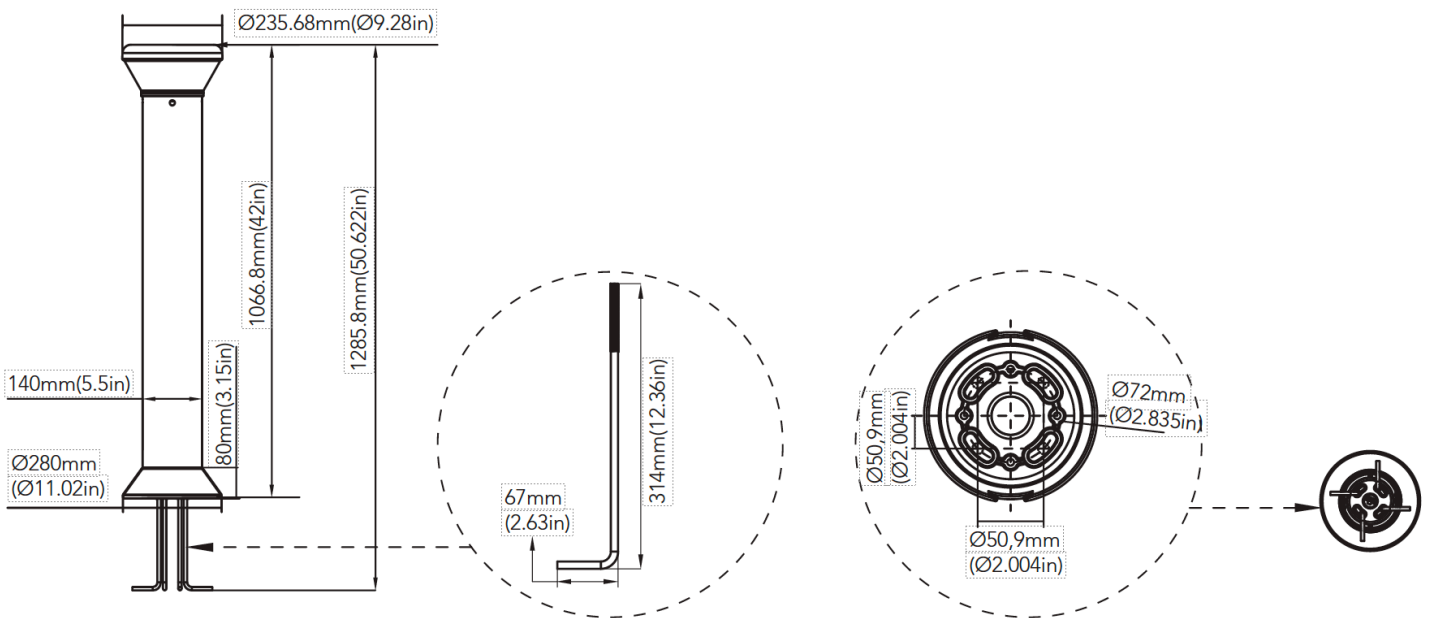
SWITCH SETTING	SETTING WATTS	CRI	LUMENS 3000K	LPW 3000K	LUMENS 4000K	LPW 4000K	LUMENS 5000K	LPW 5000K
100%	26W	70	3000lm	115lm/W	3200lm	123 lm/W	3050lm	117 lm/W
80%	21W	70	2500lm	119lm/W	2700lm	129 lm/W	2500lm	119 lm/W
60%	16W	70	1950lm	122lm/W	2100lm	131 lm/W	2000lm	125 lm/W
40%	10W	70	1300lm	130lm/W	1400lm	140 lm/W	1350lm	135 lm/W

Electrical Data

Number of Drivers	Driver Current (mA)	Nominal Power (W)	INPUT VOLTAGE (V)	CURRENT (Amps)
1	670	26	120	0.22
		26	208	0.13
		26	240	0.11
		26	277	0.09

Dimension unit: mm/inch

Net Weight:
26W: 12.136 lbs



CCT AND WATTAGE SELECTABLE
This fixture has the function of adjusting the lumens output and color temperature on-site.

WATTAGE SELECT

●
40%

●
60%

●
80%

●
100%

Each model supports 4 positions wattage regulation :
100%, 80%, 60%, 40%

CCT SELECT

■
3000K

■
4000K

■
5000K

Offer three CCT adjustable (3000K, 4000K, 5000K).