

NationalLED

Sky Shine LED Canopy

Project

Date

Catalog Number

Type



Features

- Sealed die-casting profile for indoor and outdoor applications.
- Voltage is 120-277V & 347V-480V.
- Provide with a PIR sensor ideal for parking garage and optional with emergency battery.
- Replacing 100W MH.
- Operating temperature is -40F to 113F.
- UL/cUL wet location listed and DLC qualified.

Structural Design

Housing

One piece die cast housing better waterproofing, suitable for both indoor and outdoor application.

Mounting Bracket

Suitable for J-BOX mounting, and easy for installation, also support pendant mounting, wires coming out from the back for easier wire connections.

Photometry

Parking Garage Photometry and polycarbonate optical lens with heat resisting.

1/2inch knock hole

Support wires coming from the hole for easier wire connections. Optional PIR sensor and Emergency Battery.

ORDERING GUIDE

Example: **SSLC 60W LV 4K DB MS D W/B W/O**

Fixture Type	Wattage	Input Voltage	CCT	Finish	Sensor (Option)	Dimmable (optional)	Emergency Battery (Option)	Internal Code
<input type="text"/>	<input type="text"/>	<input type="text"/>	<input type="text"/>	<input type="text"/>	<input type="text"/>	<input type="text"/>	<input type="text"/>	<input type="text"/>
SSLC Canopy Series	20 20W	LV 120-277V	4K 4000K	DB Dark Bronze	MS Motion Sensor	WS With Sensor	WB With Battery	Blank
	27 27W	HV2 347-480V	5K 5000K	BK Black	Blank Without Sensor	Blank Without Sensor	Blank Without Battery	Alphanumeric
	40 40W			WH White				
	60 60W			SG Silver Gray				

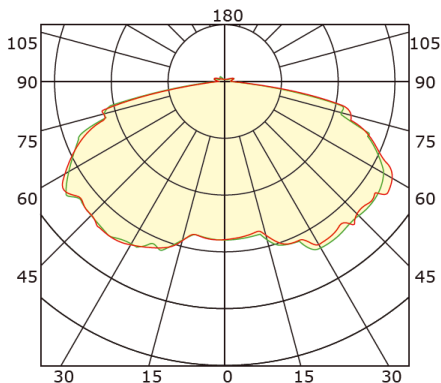
Performance Data

SYSTEM WATTS	PHOTOMETRY	VOLTAGE	4000K(70CRI)		5000K(70CRI)	
			LUMENS	LPW	LUMENS	LPW
20W	Parking Garage	120-277VAC	2600lm	130lm/W	2600lm	130lm/W
27W	Parking Garage	120-277VAC	3750lm	139lm/W	3800lm	141lm/W
40W	Parking Garage	120-277VAC/347-480V	5350lm	134lm/W	5450lm	136lm/W
60W	Parking Garage	120-277VAC/347-480V	7800lm	133lm/W	8000lm	133lm/W

Electrical Data

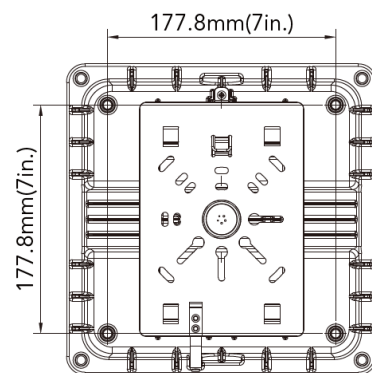
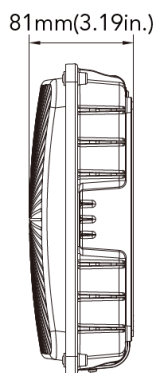
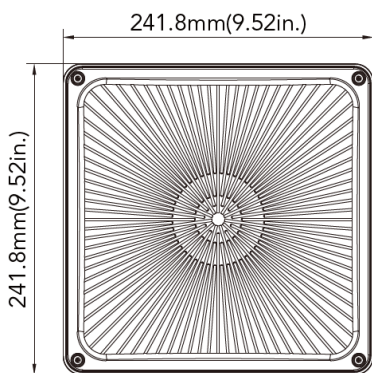
Number of Drivers	Driver Current (mA)	Nominal Power (W)	INPUT VOLTAGE (V)	CURRENT (Amps)
1	740	20	120	0.17
		20	208	0.10
		20	240	0.08
		20	277	0.07
1	670	27	120	0.23
		27	208	0.13
		27	240	0.11
		27	277	0.10
1	980	40	120	0.33
		40	208	0.19
		40	240	0.17
		40	277	0.14
	1020	40	347	0.12
		40	480	0.08
1	1500	60	120	0.50
		60	208	0.29
		60	240	0.25
		60	277	0.22
	1600	60	347	0.17
		60	480	0.13

Photometrics



Dimension unit: inch/mm

Net Weight:
20W: 3.536lbs
27W: 3.615lbs
40W: 4.166lbs



Net Weight:
60W: 5.070lbs

