

# NationalLED

## Victory Glow Sports Light

Project

Date

Catalog Number

Type



## Specifications

### Construction

- Sealed die-casting profile for outdoor applications.
- Low profile, 3G vibration rated compact design minimizes wind load requirements.
- Environmental friendly, IP65 waterproof rating.

### Performance

- Available in NEMA 4Hx4V distributions.
- Light engines are available in standard 4000K, 5000K and 5700K (70/80/90 CRI) configurations.
- Scalable Lumen Packages from 50,000 to 68,000 Lumens.
- Optics is precisely designed to shape the distribution, maximizing efficiency and application spacing.

### Lifespan

- Estimated 100,000-hour LED lifespan based on IES LM-80 results and TM-21 calculations

### Electrical

- Universal 120-277 VAC or 347-480 VAC input voltage
- Standard with 0-10V dimming driver(s)
- Built in surge suppression with max.20KV @120-277V(Max.40KV @347-480V).
- THD: ≤20%
- Power Factor: ≥90%

### Ambient Temperature

- Ambient operating temperature -40°F to 131°F.

### Certification

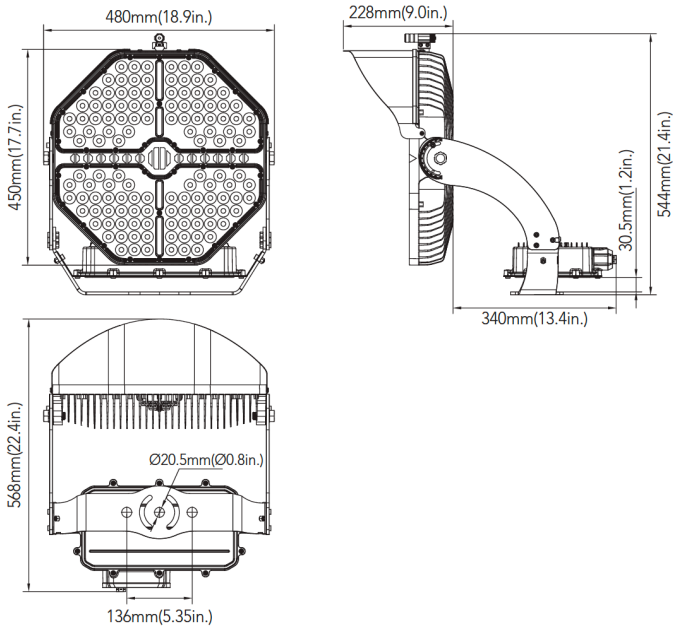
- UL cUL wet location listed.
  - DesignLights Consortium™ Qualified.
- Note: DesignLights Consortium™ Qualified and classified for DLC Standard (all lumen packages), refer to [www.designlights.org](http://www.designlights.org) for details.

## ORDERING GUIDE

Example: VGSL 36 LV 4K BK B44 TR BLANK

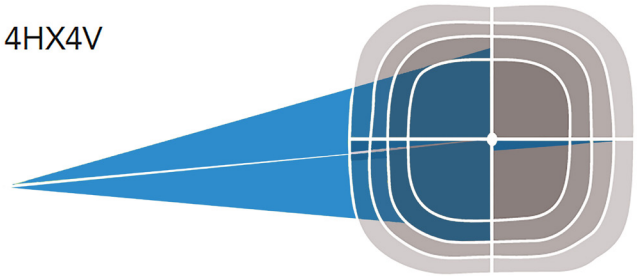
Fixture Type	Wattage	Voltage	CCT	Finish	Nema	Mounting (Option)	Internal Code
<input type="text"/>	<input type="text"/>	<input type="text"/>	<input type="text"/>	<input type="text"/>	<input type="text"/>	<input type="text"/>	<input type="text"/>
VGSL Sports light	36 360W 51 510W	LV 120-277V HV2 347-480V	4K 4000K 5K 5000K 57K 5700K	BK Black	B44 4Hx4V	TR Trunion	Blank Alphanumeric

Dimension unit: mm/inch



## Photometrics

4HX4V



## Performance Data

SYSTEM WATTS	VOLTAGE	NEMA	EPA	CRI	LUMENS (4000K)	LPW (4000K)	LUMENS (5000K)	LPW (5000K)	LUMENS (5700K)	LPW (5700K)
360W	120-277V/347-480V	4Hx4V	0.9497	70	51000lm	146 lm/W	51000lm	146 lm/W	50000lm	139 lm/W
510W	120-277V/347-480V	4Hx4V	0.9497	70	68000lm	136 lm/W	68000lm	136 lm/W	65000lm	130 lm/W

## Electrical Data

Number of Drivers	Driver Current (mA)	Nominal Power (W)	INPUT VOLTAGE (V)	CURRENT (Amps)
1	6000	360	120	3.00
		360	208	1.73
		360	240	1.50
		360	277	1.30
		360	347	1.04
		360	480	0.75
1	2500	510	120	4.25
		510	208	2.45
		510	240	2.13
		510	277	1.84
		510	347	1.47
		510	480	1.06